

# LATHEM 2000/3000/4000 MOTOR REPLACEMENT

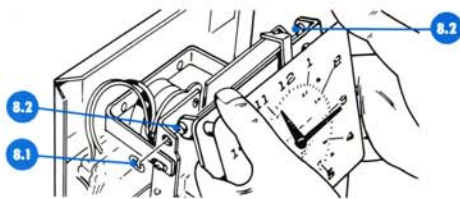


FIGURE 8

## HOW TO CHANGE A TYPE SECTION

If your type section needs servicing, you can easily remove and replace it with a spare, without sending the entire machine for service. Here's how:

1. Remove the top cover.
2. Remove type section retaining ring **8.1**.
3. Unplug connectors if type section has digital time display (not shown).
4. Lift type section slightly and move it to the right to release hinge pins **8.2** from their sockets. Unit will lift out (Fig. 8).

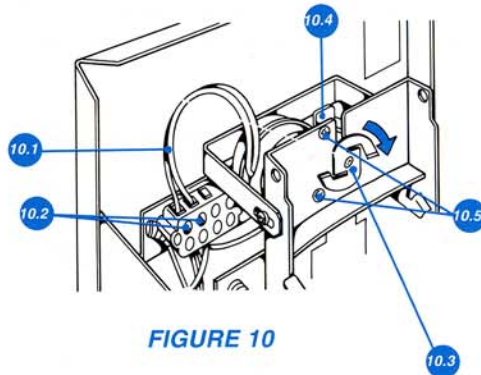


FIGURE 10

## HOW TO CHANGE A MOTOR

1. Unplug cord from wall outlet (except 2100-BATT).
2. Remove type section from main frame (see "How to Change A Type Section"). Figure 10 shows a close-up of Camblock terminal in A 4000 Series time recorder.
3. Disconnect motor wire leads **10.1** by turning each screw **10.2** 1/4 of a turn counterclockwise.
4. Remove the motor clutch **10.3** from its shaft. The shaft has LEFT HAND threads -- remove clutch by turning clockwise.
5. Hold motorbracket **10.4** and loosen motor mounting screws **10.5**. Remove and retain screws and bracket from old motor.
6. Install motor clutch on new motor. Turn counterclockwise to tighten. DO NOT OVERTIGHTEN OR BEND -- YOU MAY DAMAGE INTERNAL MOTOR GEARS.
7. Install new motor.